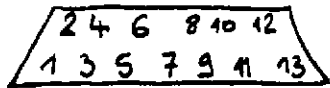
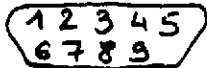


ATARI SERIAL  
CABLE PLUG (Soldering)

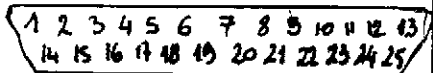


Connecteur  
(Vue côté soudure)

PC SERIAL  
CABLE PLUG  
(soldering size)



DB9 plug/connector

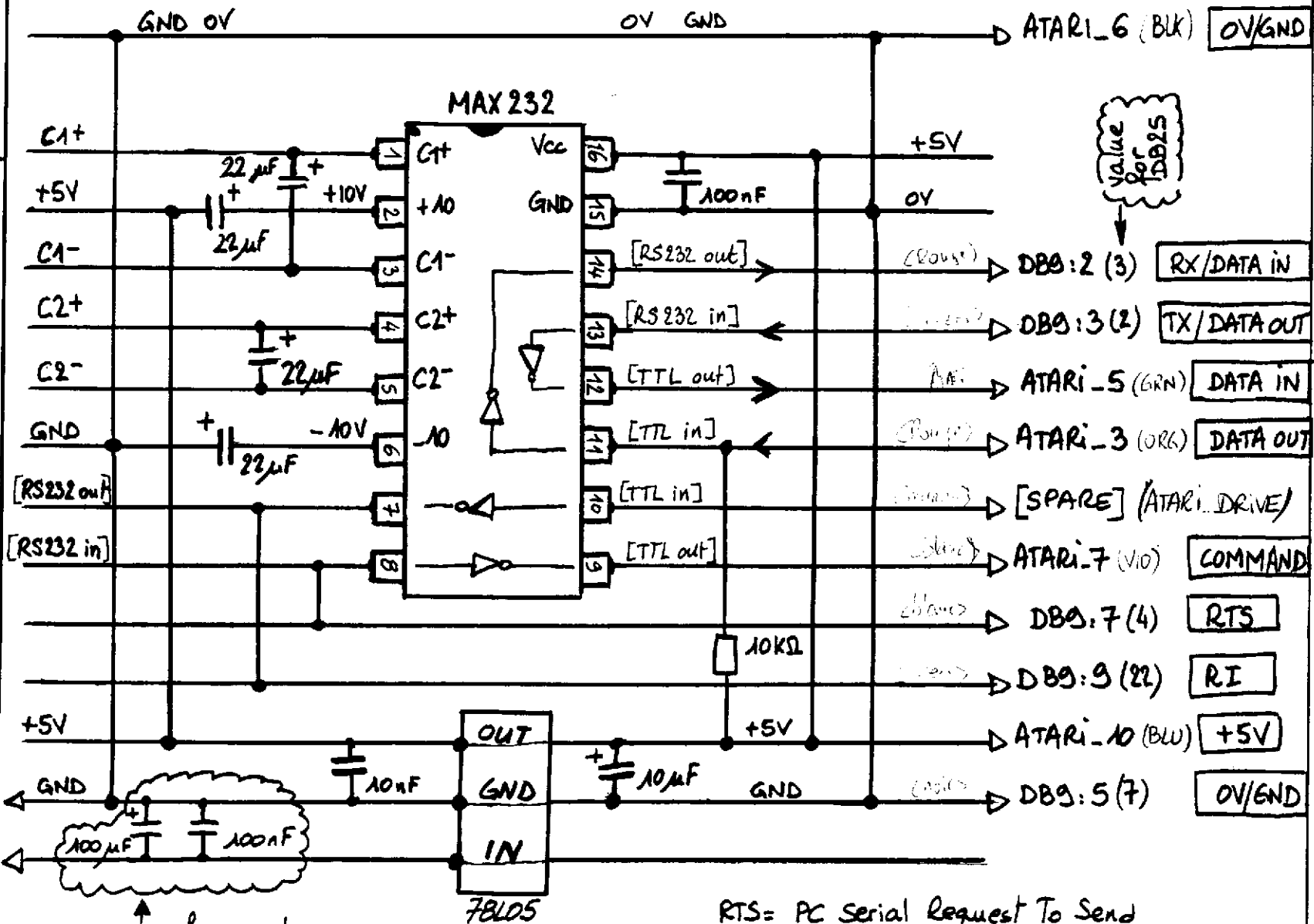


DB25 plug/connector

(côté soudure)  
connecteur

# PC to ATARI DISK DRIVE INTERFACE CABLE SCHEMATIC DIAGRAM

by Philippe



EXTERN. POWER IN SUPPLY  
OR 9VDC BATTERY

if/si extern. power  
not used/pas si batterie

RTS = PC Serial Request To Send  
RI = PC Ring Indicator  
RX = RECEIVE on PC Serial  
TX = TRANSMIT on PC Serial