

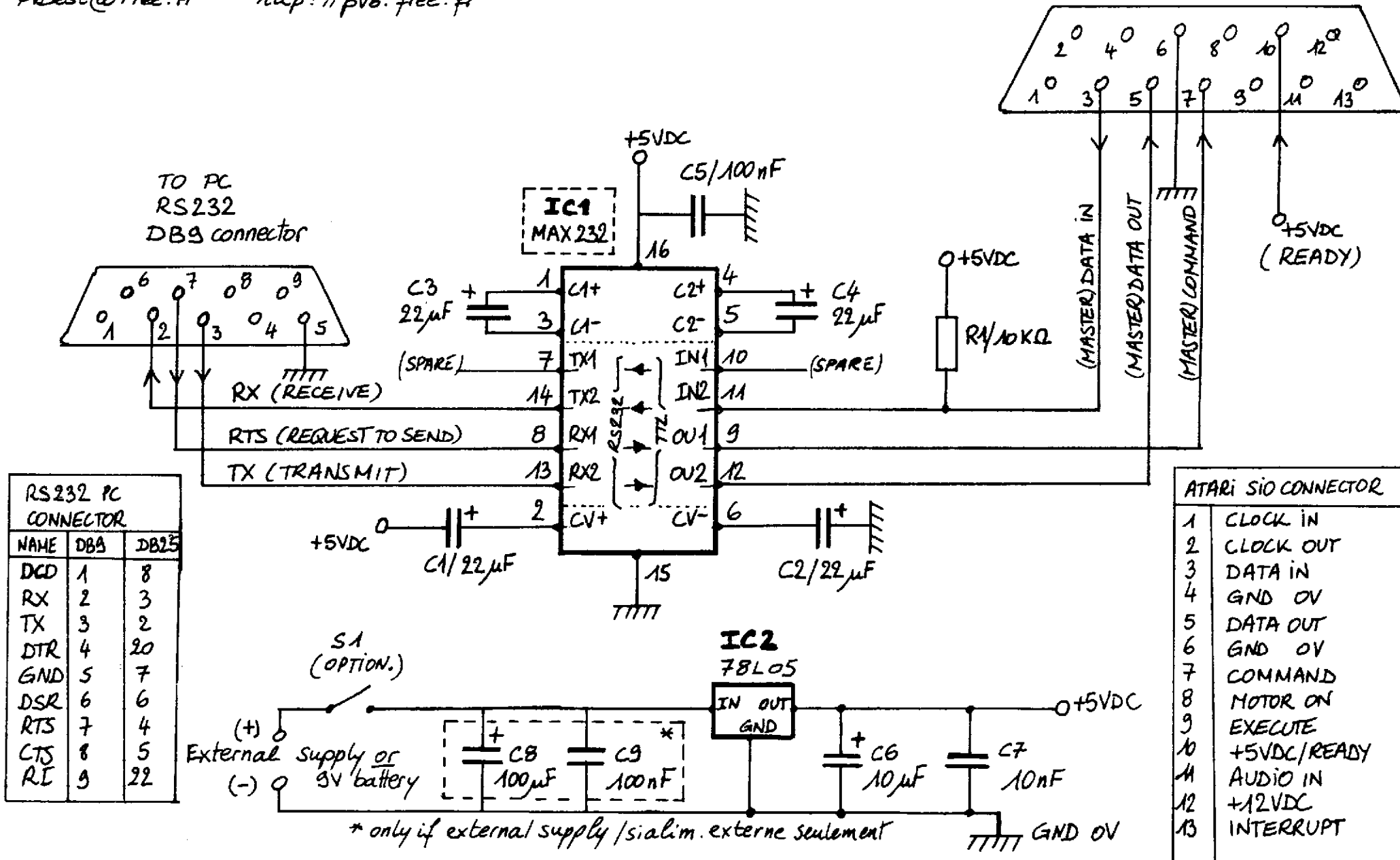
PC TO ATARI DISK DRIVE INTERFACE CABLE SCHEMATIC DIAGRAM

by Philippe

2/2

© Phil 2002. Atari is a registered trademark
 PVBest@Free.fr <http://pvb.free.fr>

TO ATARI DRIVE
SIO CONNECTOR



RS232 PC CONNECTOR		
NAME	DB9	DB25
DGD	1	8
RX	2	3
TX	3	2
DTR	4	20
GND	5	7
DSR	6	6
RTS	7	4
CTS	8	5
RI	9	22

ATARI SIO CONNECTOR	
1	CLOCK IN
2	CLOCK OUT
3	DATA IN
4	GND 0V
5	DATA OUT
6	GND 0V
7	COMMAND
8	MOTOR ON
9	EXECUTE
10	+5VDC/READY
11	AUDIO IN
12	+12VDC
13	INTERRUPT

* only if external supply / sialim. externe seulement